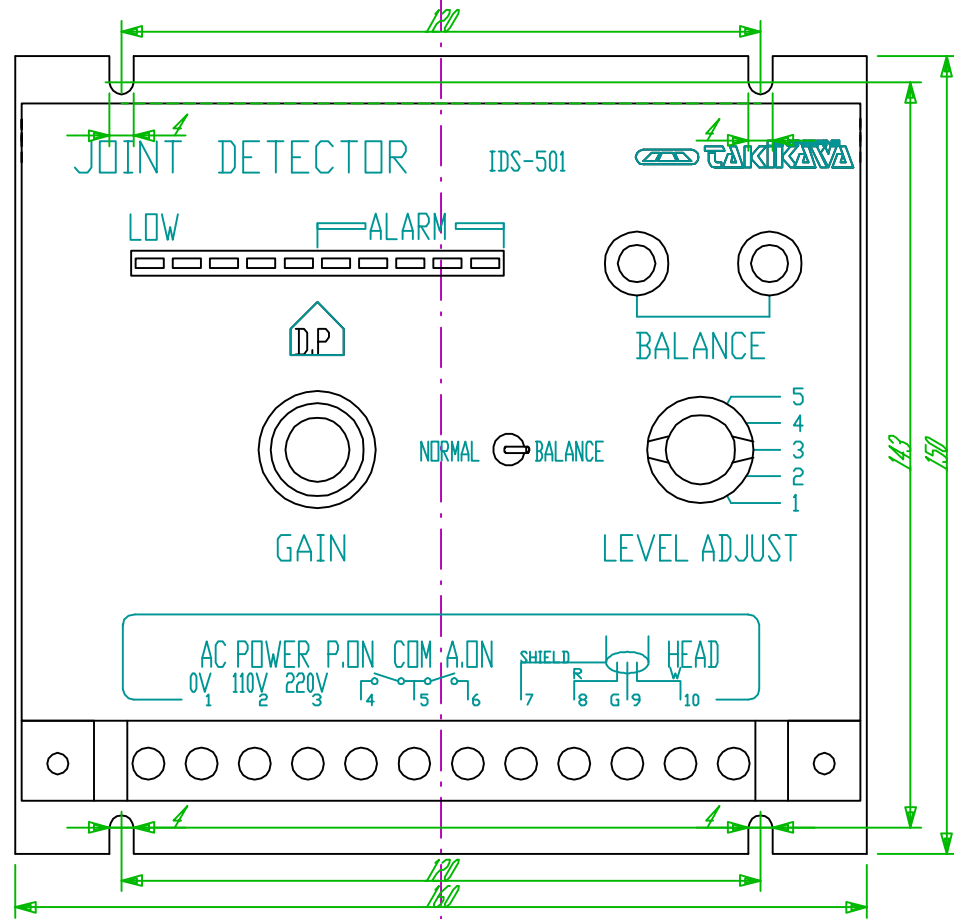


Fixing screw hole dimension



IDS-501 Externals chart